



# TAI-SAW TECHNOLOGY CO., LTD.

No. 3, Industrial 2nd Rd., Ping-Chen Industrial District,  
Taoyuan, 324, Taiwan, R.O.C.

TEL: 886-3-4690038 FAX: 886-3-4697532

E-mail: [tstsales@mail.taisaw.com](mailto:tstsales@mail.taisaw.com) Web: [www.taisaw.com](http://www.taisaw.com)

## Approval Sheet For Product Specification

Issued Date: Feb, 29, 2008

Product Name: SAW Filter 1575.42 MHz SMD 2.0X1.4 mm

TST Parts No.: TA0816A

Customer Parts No.: \_\_\_\_\_

Company: _____
Division: _____
Approved by : _____
Date: _____

Checked by: \_\_\_\_\_ Bob Chau

Approval by: \_\_\_\_\_ Francis Chen

Date: \_\_\_\_\_ 2, 29, 2008



# TAI-SAW TECHNOLOGY CO., LTD.

No. 3, Industrial 2nd Rd., Ping-Chen Industrial District,  
Taoyuan, 324, Taiwan, R.O.C.

TEL: 886-3-4690038 FAX: 886-3-4697532

E-mail: [tstsales@mail.taisaw.com](mailto:tstsales@mail.taisaw.com) Web: [www.taisaw.com](http://www.taisaw.com)

## SAW Filter 1575.42MHz

MODEL NO.:TA0816A

REV. NO.:1

### A. MAXIMUM RATING:

1. Input Power Level: 10 dBm
2. DC Voltage : 3V
3. Operating Temperature: -30°C to +80°C
4. Storage Temperature: -50°C to +95°C

RoHS Compliant  
Lead free  
Lead-free soldering

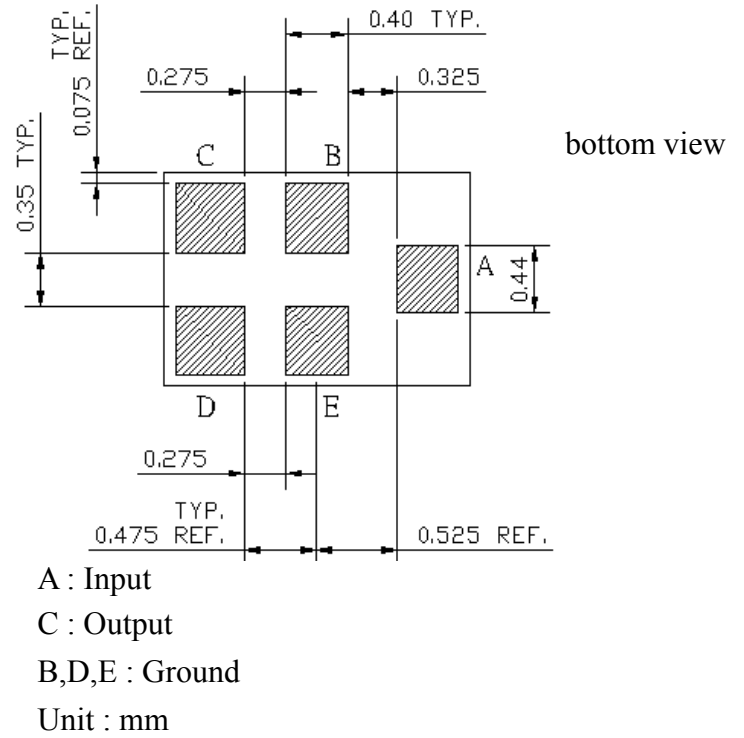
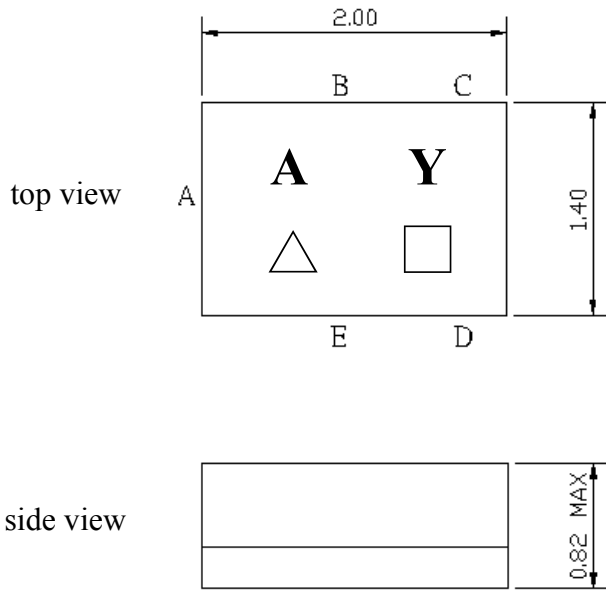
### B. ELECTRICAL CHARACTERISTICS:

Terminating source impedance :  $Z_s = 50 \Omega$

Terminating load impedance :  $Z_L = 50 \Omega$

Item	Unit	Min.	Type.	Max.	Note
Center Frequency	Fc MHz	-	1575.42	-	-
Max. Insertion Loss (1574.42~1576.42 MHz)	IL dB	-	1.2	1.8	-
Amplitude ripple (1574.42~1576.42 MHz)	dB	-	0.1	0.7	-
VSWR (1574.42~1576.42 MHz)		-	1.3	1.9	-
<b>Attenuation</b>					
100~960 MHz	dB	27	29	-	-
960~1460 MHz	dB	27	30	-	-
1460~1513 MHz	dB	22	26	-	-
1648~1710 MHz	dB	22	27	-	-
1710~1990 MHz	dB	27	29	-	-
1990~2300 MHz	dB	30	33	-	-
2300~3000 MHz	dB	28	36	-	-

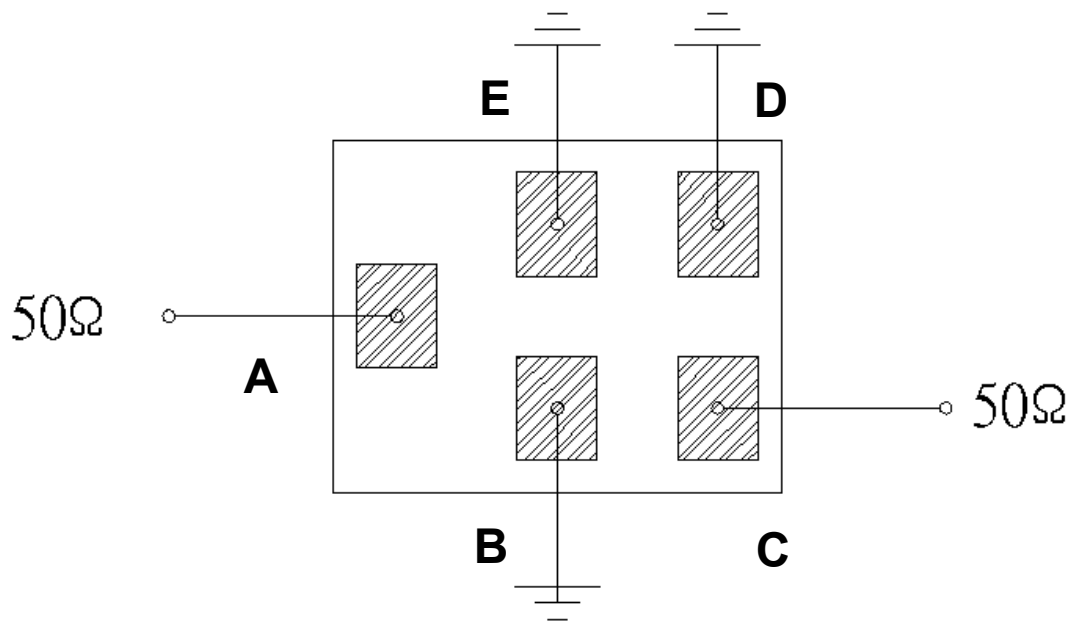
**C.OUTLINE DRAWING:**



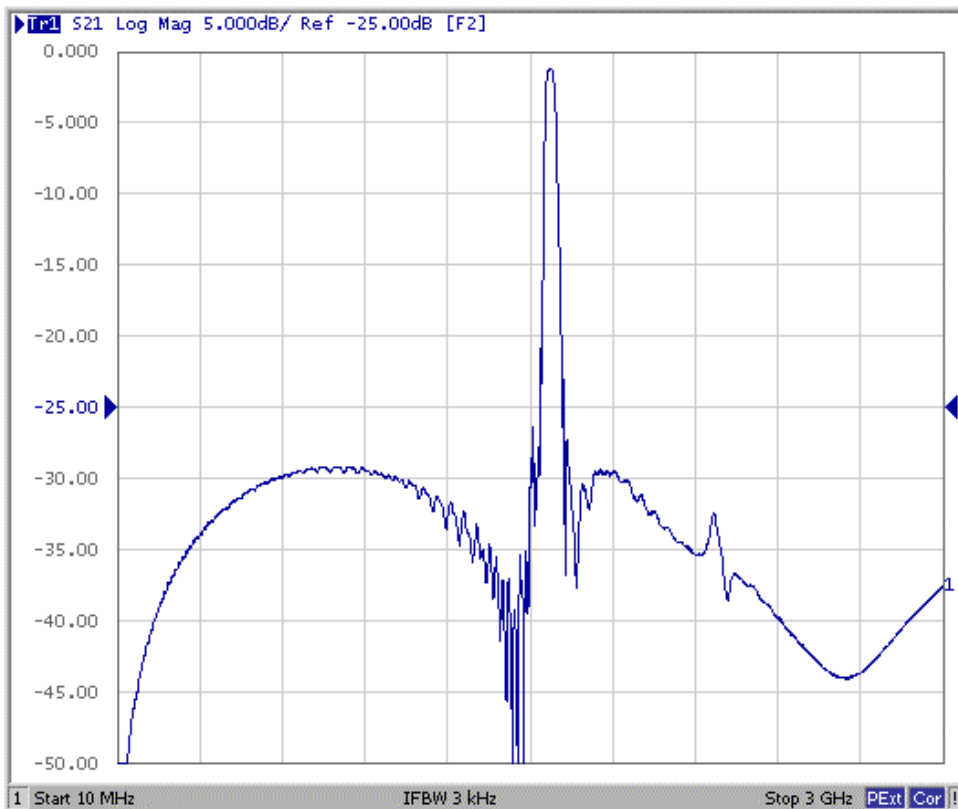
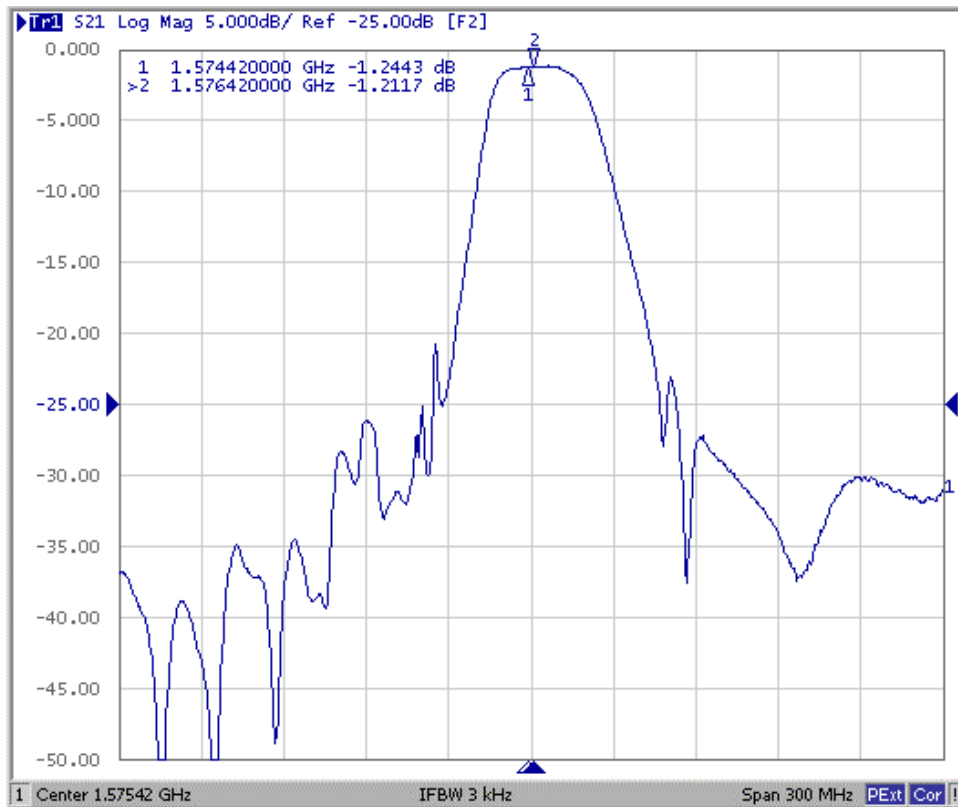
△ : Year Code (2006->6, ..., 2009->9)

□ : Date Code (Follow the table from planner each year)

**D. MEASUREMENT CIRCUIT:**

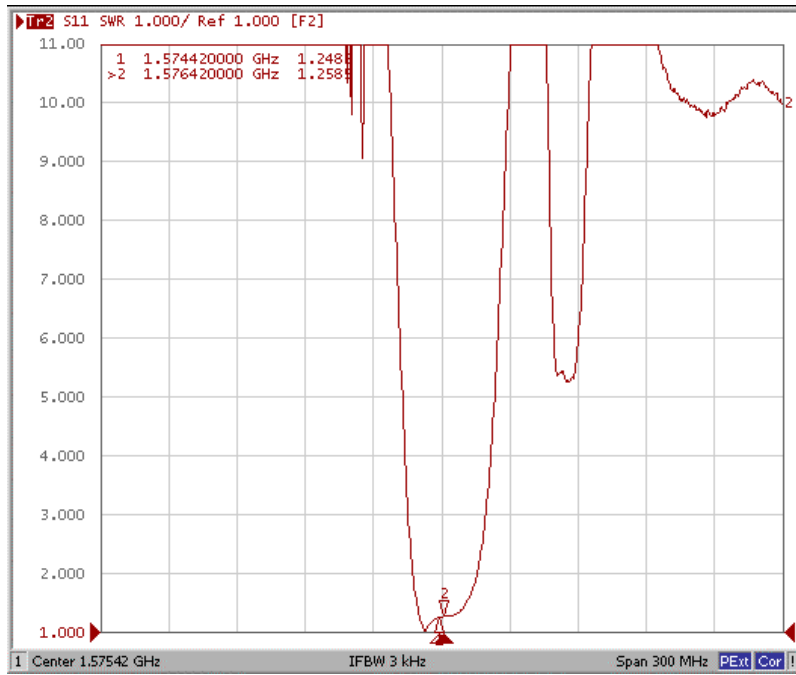


### E. Frequency Characteristics :

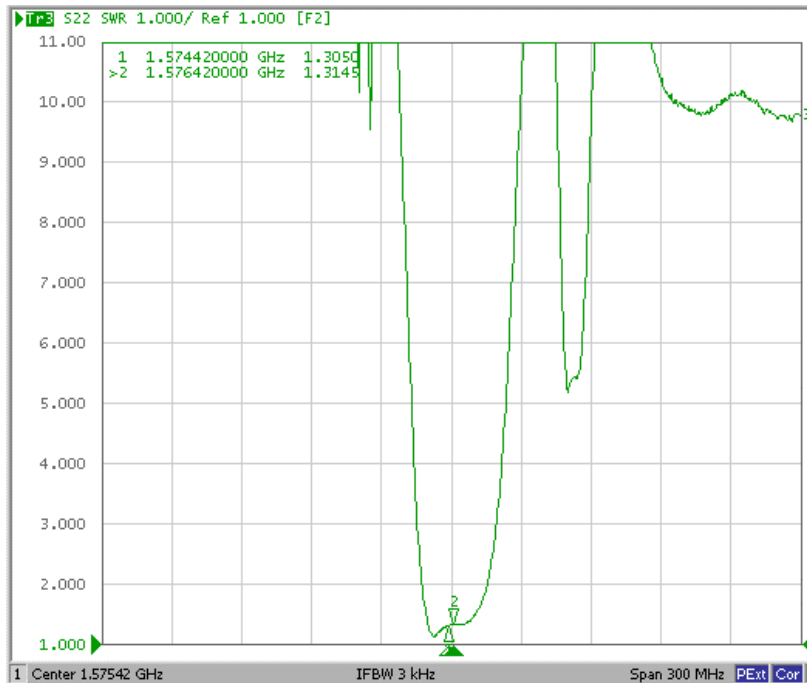


# Reflection Functions :

## S11



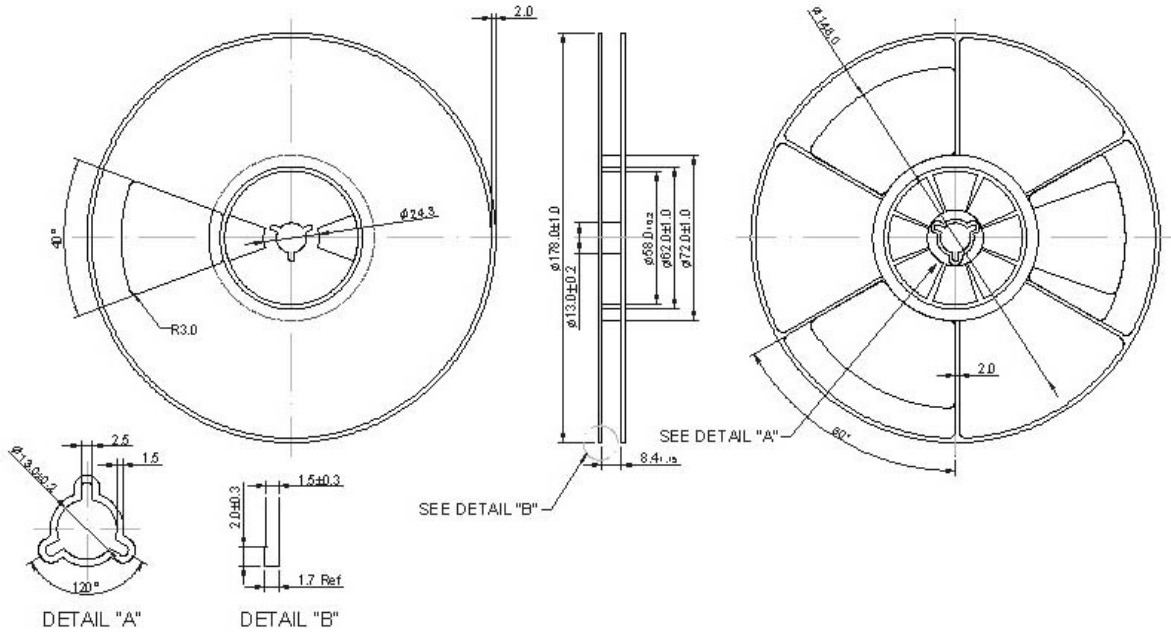
## S22



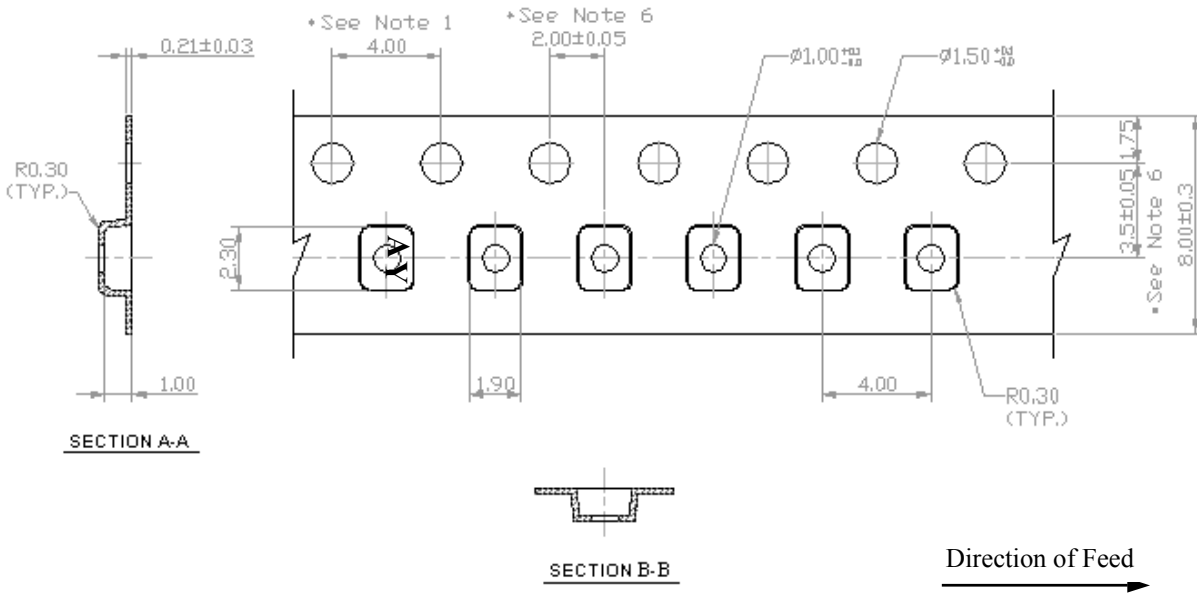
**F. PACKING:**

**1. REEL DIMENSION**

(Reel Count : 7''=2000 ; 13''=10000 )



**2. TAPE DIMENSION**



**G. RECOMMENDED REFLOW PROFILE :**

